



Medium Volume Amana® Commercial Microwave RCS Series

Power Output

- 1000 watts of power

Available with Touch or Dial Controls

- **Touch controls:**
 - 100 programmable menu items simplifies cooking
 - 5 power levels and 4 cooking stages for cooking flexibility
 - Multiple quantity pad calculates the proper cooking times for multiple portions
- **Dial Controls:**
 - Timer automatically resets to zero if door is opened during heating
 - 10 minute dial timer lights up for "at-a-glance" monitoring
 - 4 power levels

Easy to Use

- See-through door and lighted interior for monitoring without opening the door
- 1.2 cubic ft. (34 liter) capacity accommodates a 14" (356 mm) platter, prepackaged foods and single servings

Easy to Maintain

- Stainless steel exterior and interior for easy cleaning and a professional look.
- Non-removable air filter protects oven components.
- Interior borosilicate tray is sealed and recessed to reduce plate-to-shelf edge impact and keep spills contained
- Constructed to withstand the foodservice environment, multiple users and variable ambient temperatures

Optional Accessories

- Cavity shelf (SE10)
- Non-stick baskets (TB10/S, SB10/S, MB10/S, NB10, OB10)
- Oven Cleaner and Shield Protectant (CL10, SH10)

Service

All products are backed by the ACP, Inc.
24/7 ComServ Support Center

Warranty

Warranty Certificate for this product can be found on the ACP, Inc. website at www.acpsolutions.com/warranty

Safety and Sanitation

This ACP, Inc. product meets and exceeds safety and sanitation standards set for commercial microwave ovens by UL, ETL, NSF, CSA, and FDA.



Restaurant Line | Medium Volume This category of microwave oven is ideal for...

Applications

- Server Stations
- Convenience Stores
- Concessions
- Coffee shops
- Breakrooms
- Vending

Boost heats and re-therms foods in seconds

- Breakfast sandwich reheats in 1:00
- Stage cooking perfectly prepares instant oatmeal in 1:30

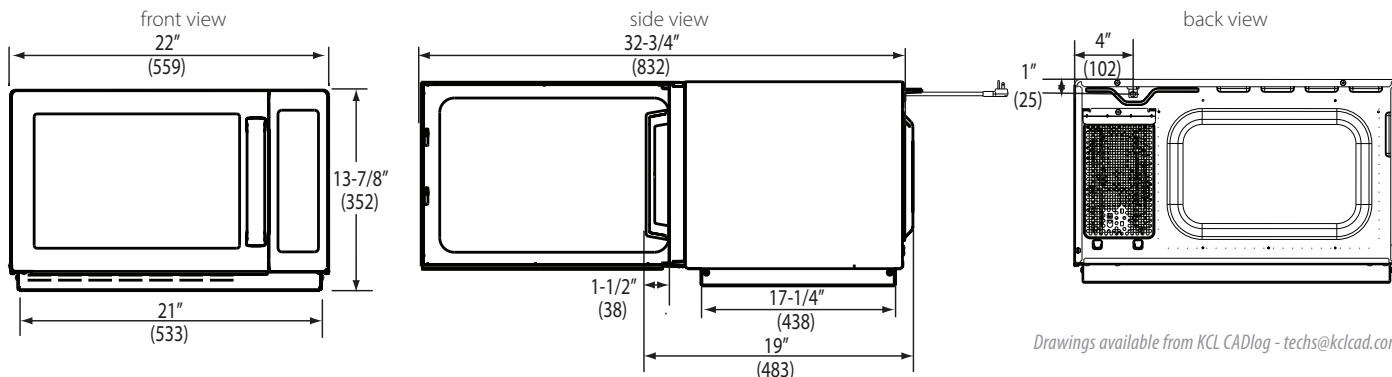
Defrost:

- Defrosts most frozen food products

All ACP, Inc. commercial ovens are supported by our Culinary Center. Do not hesitate to contact us for any questions regarding food preparation, menu development and cooking times: testkitchen@acpsolutions.com



Amana® Commercial Microwave RCS Series | Medium Volume



Dimensions

Exterior	H 13 7/8" (352)	W 22" (559)	D† 19" (483)
Cavity	H 8 1/2" (216)	W 14 1/2" (368)	D 15" (381)
Usable Cavity Space	1.2 cubic ft. (34 liter)		
Door Depth	32 3/4" (832), 90°+ door open		
Installation Clearances	Top: 2" (51)	Sides: 1" (25)	Back: None
Shipping Carton	H 16 5/8" (422)	W 25 3/16" (640)	D 19 3/4" (502)
Weight			
Product Weight	Ship weight (approx.)	UPS Shippable	
41 lbs. (19 kg.)	47 lbs. (21 kg.)	Yes	

Measurements are US Standard. Measurements in () are in millimeters

* IEC 60705 Tested

† Includes handle

Features

	Touch Models (TS)	Dial Models (DSE)
Configuration	Countertop	Countertop
Stackable	Yes	Yes
Display	VFD	Lighted Dial
Control System	Touchpad	Dial
Programmable Control	Yes, 10 pads	No
Braille	Yes	No
Settings Programmable	100	-
Max. Cooking Time	60:00	10:00
Microwave Distribution	Rotating antenna, top	Rotating antenna, top
Power Levels	5	4
Defrost	Yes, 20% power	Yes, 20% power
Time Entry Option	Yes	Yes
Multiple Portion Setting	Yes, X2	No
Stage Cooking	4 stages	1 stage
Interior Light	Yes	Yes
Automatic Voltage Sensor	No	No
Air Filter	Non-removable with cleaning reminder	Non-removable
Signal	End of cycle, adjustable	End of cycle
Door Handle	Grab & Go	Grab & Go
Exterior Finish	Stainless steel	Stainless steel
Interior Finish	Stainless steel	Stainless steel

Electrical Configuration

Region	Model#/UPC	Control System	Power Consumption	Power Output (microwave)	Power Source	Plug Configuration	Cord Length	Frequency	Magnetron
North America single phase	RCS10TS 728028020724	Touch	1550 W, 13A	1000 W*	120 V, 60 Hz, 15 A, single phase	NEMA 5-15	5 ft. (1.5m)	2450MHz	1
North America single phase	RCS10DSE 728028129465	Dial	1550 W, 13A	1000 W*	120 V, 60 Hz, 15 A, single phase	NEMA 5-15	5 ft. (1.5m)	2450MHz	1

Specification #:

AIA File #:



225 49th Ave. Dr. SW, Cedar Rapids, IA 52404 U.S.A.
800-233-2366 • 319-368-8120 • Fax: 319-368-8198
www.acpsolutions.com

Part No. 20271701

Updated 09/06/2022

© 2022 ACP, Inc., Cedar Rapids, Iowa 52404

an Ali Group Company



The Spirit of Excellence